



US006095628C1

(12) **EX PARTE REEXAMINATION CERTIFICATE** (8121st)
United States Patent
Rhyme

(10) **Number:** **US 6,095,628 C1**
(45) **Certificate Issued:** **Mar. 29, 2011**

(54) **APPARATUS FOR INK JET PRINTING**

4,474,109 A 10/1984 Yara
4,550,679 A 11/1985 Pipa et al.

(75) **Inventor:** **Matthew Rhyme**, Bradenton, FL (US)

FOREIGN PATENT DOCUMENTS

(73) **Assignee:** **Direct Imaging Systems, Inc.**,
Bradenton, FL (US)

JP H6122569 12/1995

OTHER PUBLICATIONS

Reexamination Request:

No. 90/008,211, Sep. 8, 2006

Fresener, Scott & Pat, Encyclopedia of Garment Printing, 1989, Fresener Corp., Scottsdale, Arizona. Pgs include front cover, copyright page, pp. 444, 492, 506, 508, 536, 780.

Reexamination Certificate for:

Patent No.: **6,095,628**
Issued: **Aug. 1, 2000**
Appl. No.: **08/683,845**
Filed: **Jul. 19, 1996**

Primary Examiner—Minh T Nguyen

(57) **ABSTRACT**

(51) **Int. Cl.**

B41J 3/00 (2006.01)
B41J 2/01 (2006.01)

An apparatus for ink printing a preprogrammed viewable indicia onto a substrate. The apparatus is particularly useful in ink jet printing of designs in single or multi-color inks onto a portion of a substrate such as a garment. The viewable indicia may contain both words and designs or logos and may be programmed into the control system of the apparatus by using either standardized or customized software commands. No setup costs are required other than loading software and ink color selection into the system. The apparatus is capable of creating the indicia through ink jet ink depositing upon flat or rigid substrates as a result of controlled platen movement beneath the ink jet printer head and controlled ink jet printer head movement and ink flow control by a programmed c.p.u.

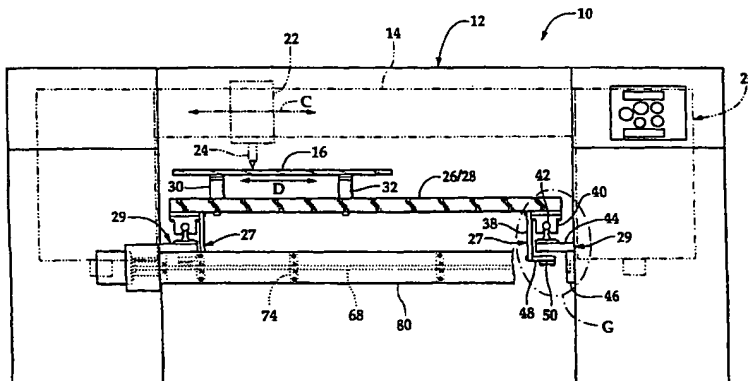
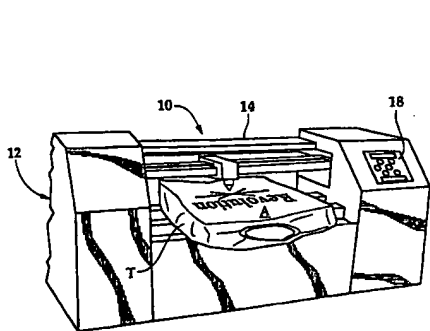
(52) **U.S. Cl.** **347/4; 347/105**

(58) **Field of Classification Search** None
See application file for complete search history.

(56) **References Cited**

U.S. PATENT DOCUMENTS

3,977,322 A 8/1976 Jaffa
4,098,222 A 7/1978 Geary et al.



**EX PARTE
REEXAMINATION CERTIFICATE
ISSUED UNDER 35 U.S.C. 307**

THE PATENT IS HEREBY AMENDED AS
INDICATED BELOW.

Matter enclosed in heavy brackets [] appeared in the patent, but has been deleted and is no longer a part of the patent; matter printed in italics indicates additions made to the patent.

AS A RESULT OF REEXAMINATION, IT HAS BEEN DETERMINED THAT:

Claims 1-4 and 6 are cancelled.

Claim 5 is determined to be patentable as amended.

5. A printing apparatus comprising:

a frame;

a platen movably mounted to said frame for motion in a first direction;

5 an inkjet printing head movably mounted to said frame for motion in a second direction at an angle to said first direction; and

10 a carriage assembly mounting said platen to said frame, said carriage assembly including a pair of elongate members oriented parallel to one another, spaced from

a lower surface of said platen and extending proximate to respective opposing edges of said platen, said elongate members being stationary relative to said platen

15 *wherein said elongate members are first elongate members, said carriage assembly further including a*

pair of second elongate members connected to said first elongate members and extending perpendicularly thereto, said second elongate members being movably mounted at opposite ends to a pair of rails.

* * * * *